

Item # _____



RSB

Salamander Broiler



RSB-36
Shown

STANDARD FEATURES:

- ◆ All stainless steel front and sides.
- ◆ Individually adjustable infra-red burners provide powerful radiant heat.
- ◆ Spring balanced broiler grid moves up and down with positive locking three positions
- ◆ Standing pilots for instant ignition.
- ◆ Easy loading and unloading with a roll-out carriage.
- ◆ Full width removable crumb pan for easy cleaning.
- ◆ Wall mount brackets included for easy wall mounting.

OPTIONS:

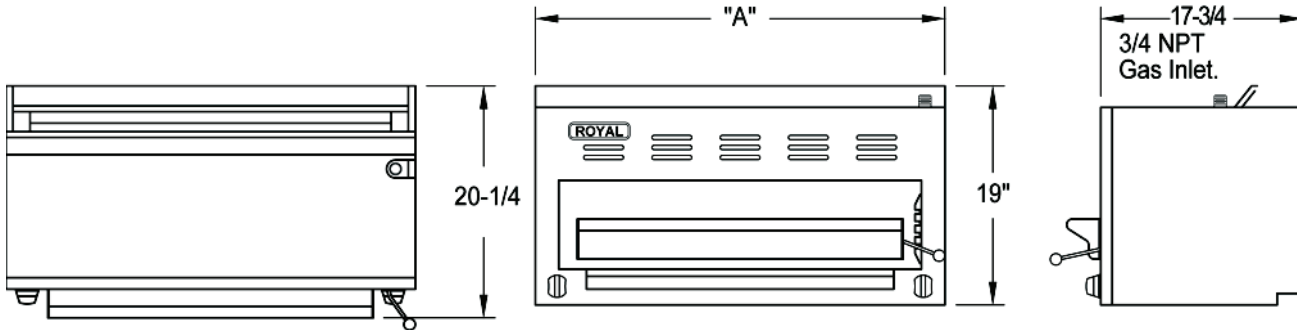
- ◆ Range mounting kits to mount onto high shelf of any size range
Note: Width of the unit cannot exceed the width of range to which it is to be attached.

Royal Salamander Broiler offers versatility, high performance, and heavy duty features designed to last. 36 inch and 48 inch models are equipped with two gas valves to separately regulate each burner. Efficient Infra-red burners provide uniform heating. The spring loaded broiler surface makes for easy adjustment into three secure height positions. For easy loading and unloading, the carriage assembly rolls out a full nine inches. All stainless steel front and sides with a full width removable broiler pan make clean up easy.

ROYAL RANGE OF CALIFORNIA, INC.
3245 CORRIDOR DRIVE, MIRA LOMA, CA 91752
(800) 769-2414 in the U.S. (951) 360-1600 Fax: (951) 360-7500
www.royalranges.com E-mail: royorange@dslextreme.com
PRINTED IN THE U.S.A. (02/11)



RSB Salamander Specifications



MODEL NO.	WIDTH (A)	DEPTH	NUMBER OF BURNERS	TOTAL BTU	SHIP WEIGHT
RSB-24	24"	17-3/4"	1*	17,500	160 Lbs.
RSB-36	36"	17-3/4"	2*	35,000	210 Lbs.
RSB-48	48"	17-3/4"	2**	40,000	252 Lbs.
* Note: Infra-red burners rated @ 17,500 BTU/hr. each ** Note: Infra-red burners rated @ 20,000 BTU/hr. each					

Gas Connection: 3/4" NPT on the right hand rear at the top of the appliance
 The pressure regulator (supplied) is to be connected here by the installer.

Gas pressure: 5" W.C. - Natural Gas
 10" W.C. - Propane

Combustible Clearances:

4 inches sides
 4 inches rear

Non-combustible Clearances:

0 inches sides
 0 inches rear

**Specify type of gas and altitude,
 if over 2,000 feet, when ordering.**

Due to continuing product development to ensure best possible performance, these specifications are subject to change without prior notification